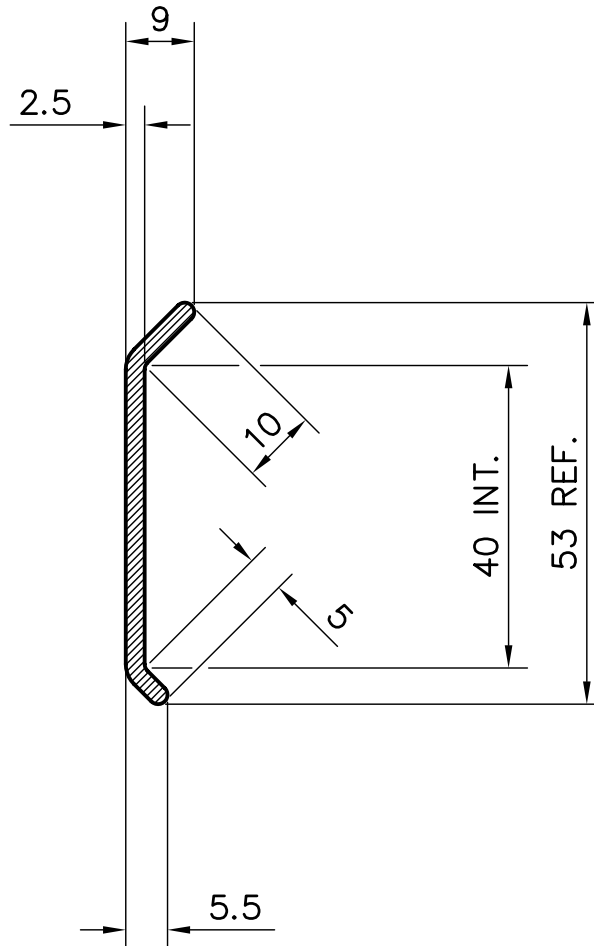
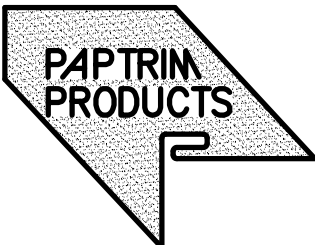


ALL DIMENSIONS IN MILLIMETRES UNLESS OTHERWISE STATED
DO NOT SCALE – IF IN DOUBT ASK

CONFIDENTIAL
THIS DOCUMENT CONTAINS PROPRIETARY INFORMATION OF PAPTRIM PRODUCTS AND ITS RECEIPT OR POSSESSION DOES NOT CONVEY ANY RIGHTS TO REPRODUCE, DISCLOSE ITS CONTENTS, OR TO MANUFACTURE, USE, OR SELL ANYTHING IT MAY DESCRIBE. REPRODUCTION, DISCLOSURE, OR USE WITHOUT AUTHORIZATION OF PAPTRIM PRODUCTS IS STRICTLY FORBIDDEN



SUPPLIED IN 2.5 METRE LENGTHS, STANDARD COLOURS BLACK, WHITE AND GREY
OTHER COLOURS CAN BE SUPPLIED, PRICES & LEAD TIMES ON APPLICATION



Unit 1, Woodcock Hill Industrial Estate,
Harefield Road, Rickmansworth,
Herts, WD3 1PQ
Tel: 01923 726959 Fax: 01923 896080
info@paptrim.co.uk www.paptrim.co.uk

TITLE

FELT TERMINATION BAR

DRAWING/PART No.

ISS A